



995 Governor Dr. #103
El Dorado Hills, CA 95762

866 382-8600

YARDART info@yardart.com

Hose Pot



Shown in Graphite



Shown in Bronze



Shown in Mediterranean

Glazed Collection

Campania's glazed hose pots are hand made from natural clay using traditional artisanal techniques and high-fired at temperatures between 990-1000 degrees centigrade to ensure frost resistance and durability. Glazed hose pots are coated with natural glazing elements that are baked onto the surface to enhance the products resistance to weathering.

Please note that actual colors may vary slightly from those depicted here.

| Material | Item Description | Item # | Available Colors | Outside Dimensions | Base Dimensions | Approx. Weight |
|----------|------------------|---------------|----------------------------------------------------|---------------------|-----------------|----------------|
| Glazed | Hose Pot | 150849-(XX)01 | (35) Graphite (41) Bronze (53) Mediterranean | 21" Diam. x 13.75"H | 11.5" Diam. | 59 lbs |

Note: Hose pot has 3 drainage holes (1" in diameter each).

AVAILABLE COLORS

Please note: Actual colors may vary slightly from those depicted below.



(35)
Graphite



(41)
Bronze

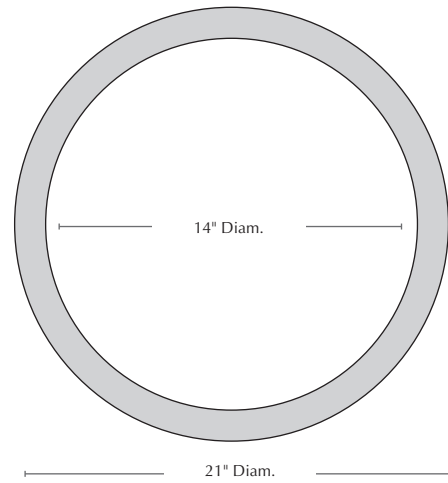
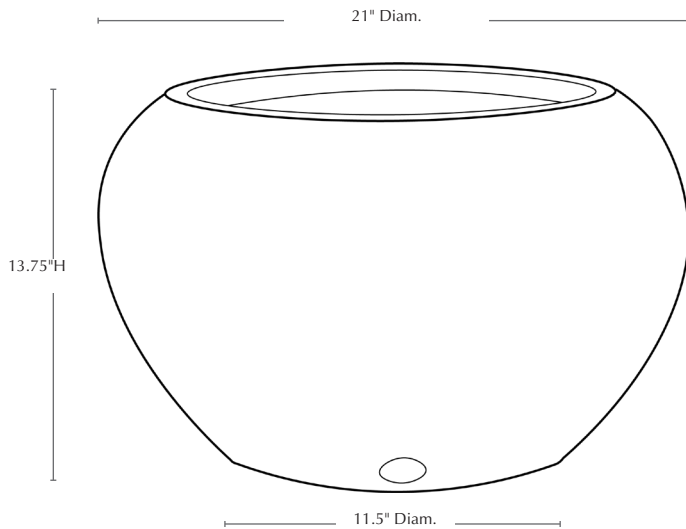


(53)
Mediterranean

Hose Pot

Isometric View

Top View



Materials: Natural clay and natural glazing elements

Care & Maintenance/Outdoor Planting Instructions: There is no such thing as a 100% frost-proof hose pot. The freeze-thaw cycles that occur in winter will cause any water in the hose pot to freeze and expand which may cause the container to crack. It is best to store the item in a dry place out of the elements. Our Glazed and Terra Cotta hose pots are equipped with pre-installed drainage holes to allow for drainage. The drain holes must be kept clear to maintain the longevity of your hose pot, especially in climates that undergo freeze thaw cycles in the winter. If you are unable to bring a hose pot out of the elements: We recommend covering the drain holes with a mesh screen or equivalent to keep debris from clogging the openings.

Cleaning Instructions: Campania Glazed hose pots can be cleaned with either mild soapy water or Windex® with Ammonia-D. Spray down the surface of the planter where it is dirty and use a lint-free cloth or sponge to wipe the surface. Note that it may take several cycles of wiping and drying before the hose is completely clean. Do not pressure wash, use alcohol based cleaners, apply corrosive cleaners or clean with anything abrasive.