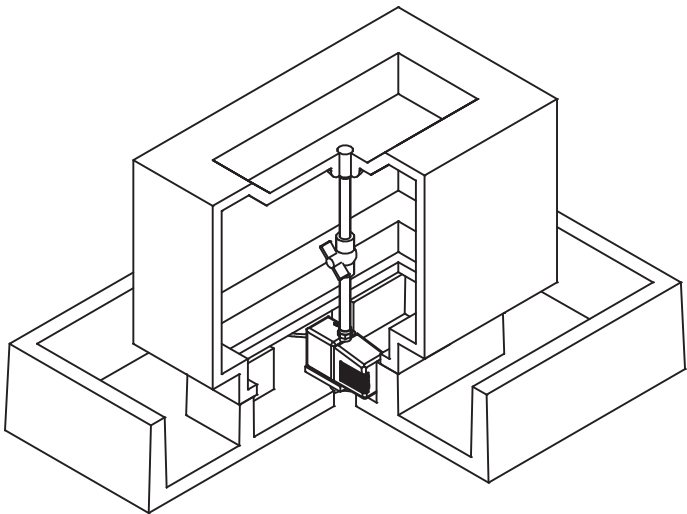
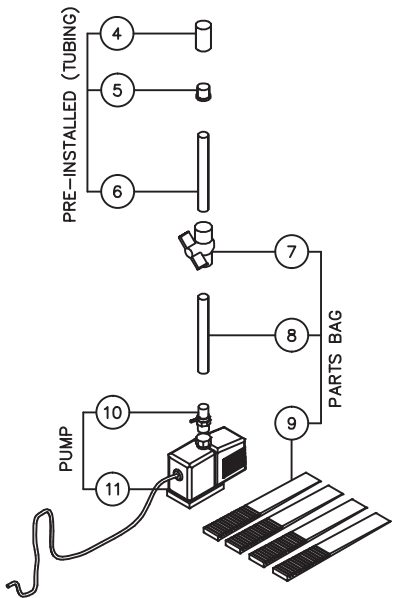


PARTS LIST

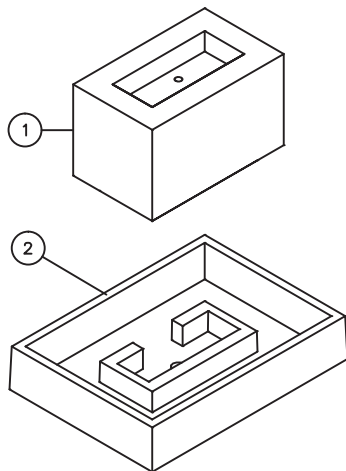
ITEM NO	COMPONENT	PART NO.	DESCRIPTION	MANUFACTURER	QTY	REMARKS
1	FOUNTAIN	-	21"H x 18"L x 30"W LINEAR FOUNTAIN - GFRC	GIST	1	COLOR OPTIONAL
2		-	44 1/2"W x 32 1/2"L x 8 1/2"H RECTANGULAR BASE - GFRC	GIST	1	COLOR OPTIONAL
4	TUBING	-	3/4" DIA PVC COUPLER SOCKET END	-	1	PRE-INSTALLED
5		-	1/2" x 3/4" DIA PVC CONCENTRIC REDUCER SOCKET END	-	1	PRE-INSTALLED
6		-	1/2" DIA x 12"LG PVC PIPE PLAIN END	-	1	PRE-INSTALLED
7	PARTS BAG	A101	1/2" DIA BALL VALVE PVC SCH. 40 150 PSI	-	1	
8		A101	5/8" I.D. x 10"LG TUBING - CLEAR VINYL PLAIN END	-	1	
9		A101	SHIM PLASTIC	EZ - SHIM	4	
10	PUMP	-	1 1/2" DIA THREADED, SLIP ON DISCHARGE ADAPTER WITH VENTURI	COMMODITY AXIS INC.	1	
11		-	WP3000, 800 GPH SUBMERSIBLE PUMP	JEBAO	1	



1 CUTAWAY
SCALE: 1/2"=1'



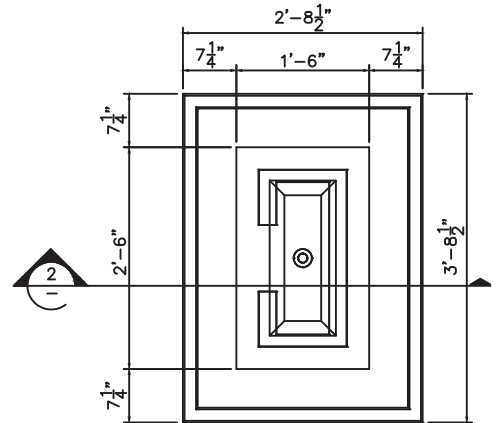
2 PIPE ASSEMBLY
SCALE: 1/2"=1'



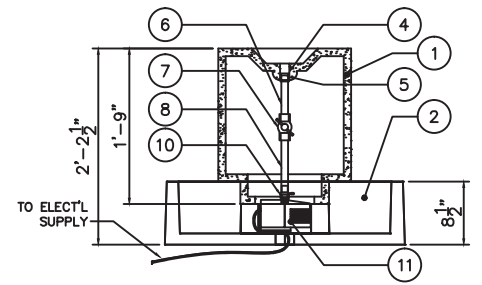
3 EXPLODED VIEW
SCALE: 1/2"=1'



4 ASSEMBLY
SCALE: N.T.S.



5 PLAN
SCALE: 1/2"=1'



6 SECTION
SCALE: 1/2"=1'



YARDART

995 Governor Dr. #103
El Dorado Hills, CA 95762

866 382-8600

info@yardart.com

NOTE:

Electrical supply must conform with local & national regulation/codes. If in doubt consult an electrician.
To ease connections hot water may be used to soften PVC tubing. Pump and plumbing details may vary.
Precautions should be taken to prevent damage from water freezing in reservoir.

LINEAR FOUNTAIN

PRODUCT
LINEAR
DRAWING DATE
11-01-05

DWG NO. / SKU:

LINF

SHEET NO. 1 OF 1