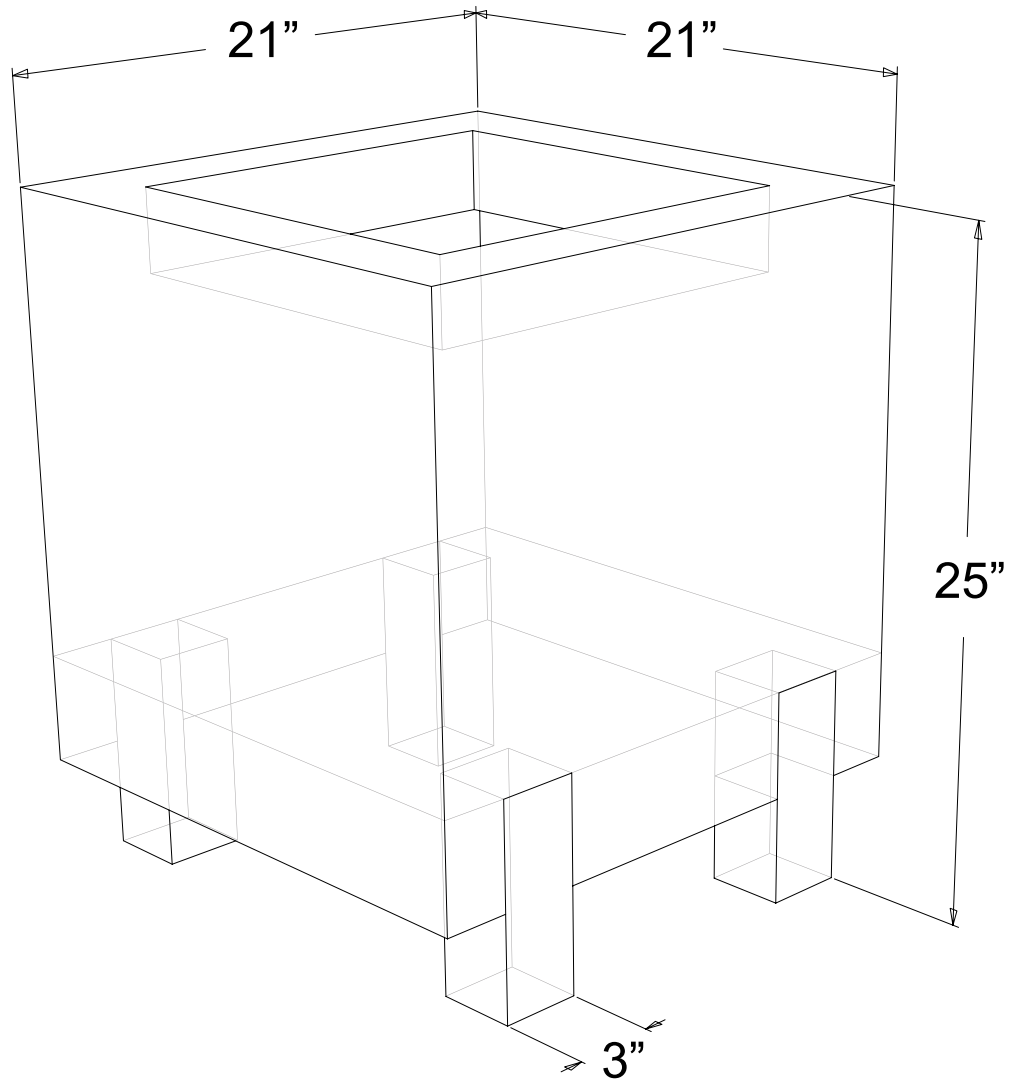


Stilts Planter - Small

21"L X 21"W X 25"H

Weight - Steel : 68 lbs. Aluminum : 20 lbs.

Capacity : 4.5 cubic feet



995 Governor Dr. #103
El Dorado Hills, CA 95762

866 382-8600

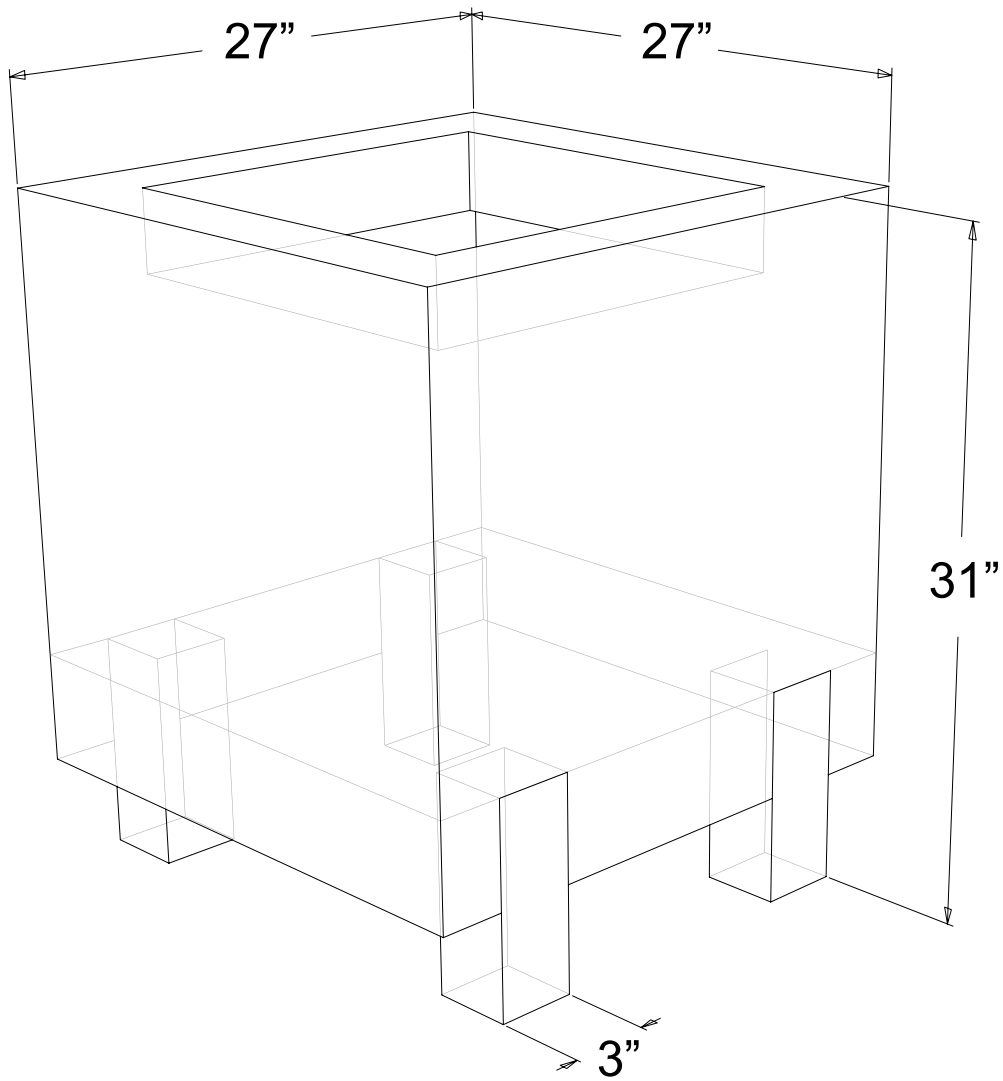
YARDART info@yardart.com

Stilts Planter - Large

27"L X 27"W X 31"H

Weight - Steel : 104 lbs. Aluminum : 62 lbs.

Capacity : 10 cubic feet



995 Governor Dr. #103
El Dorado Hills, CA 95762

866 382-8600

YARDART info@yardart.com