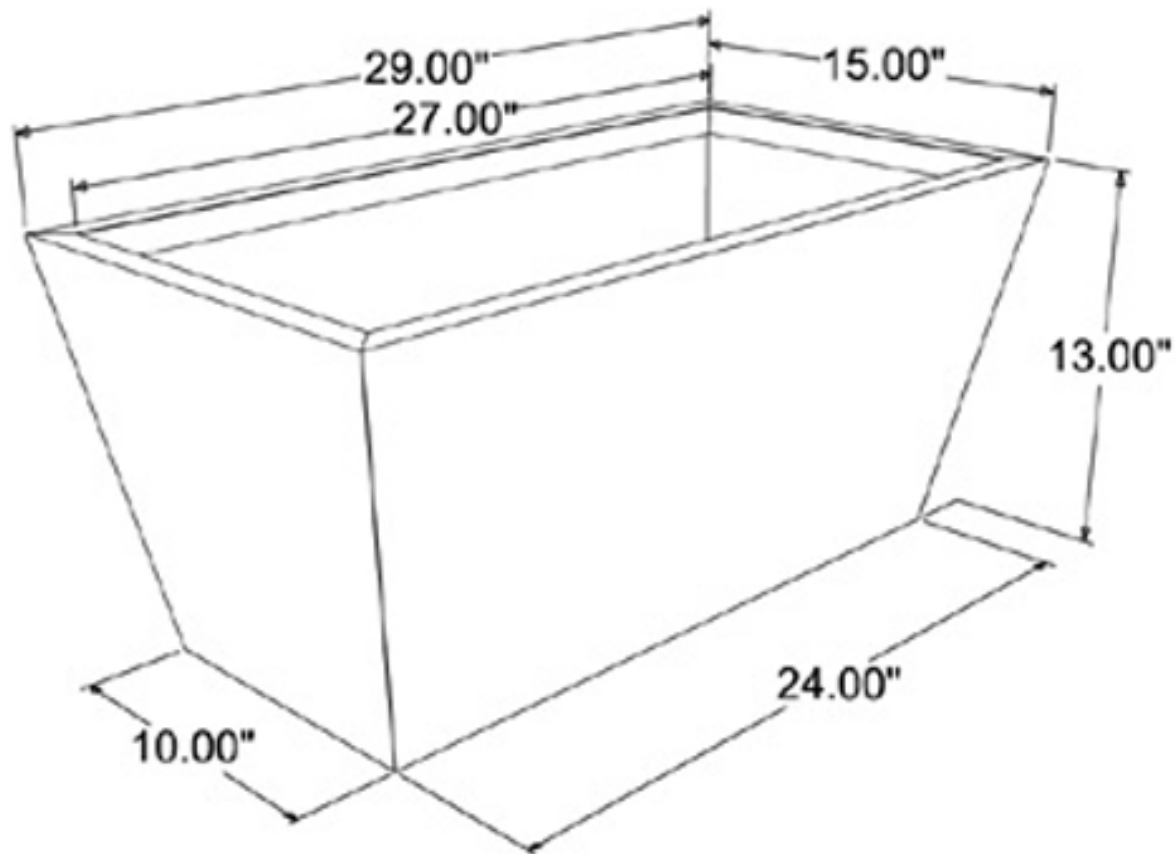


Tapered Rectangular Planter

15"L X 15"W X 24"H

Weight - Steel : 34 lbs. Aluminum : 15 lbs.

Capacity : 2.5 cubic feet



YARDART

995 Governor Dr. #103
El Dorado Hills, CA 95762

866 382-8600

info@yardart.com